

Super SQV Return Kit

Part Number: 71002-AM002

This item is exclusively for P/N 71004-AM011, 71007-AM011 (SSQV for Mitsubishi Lancer Evolution 7-9).

Parts List

Return Hose	1	Hose Band #20	2
Joint Pipe	1	Sponge Tape	2
Installation Manual (Japanese) ..	1	Installation Manual (English) ..	1

Manual Number: E04533-M30020-00

Published in October 15, 2009 by HKS Co., Ltd. (Unauthorized reproduction is strictly prohibited.)

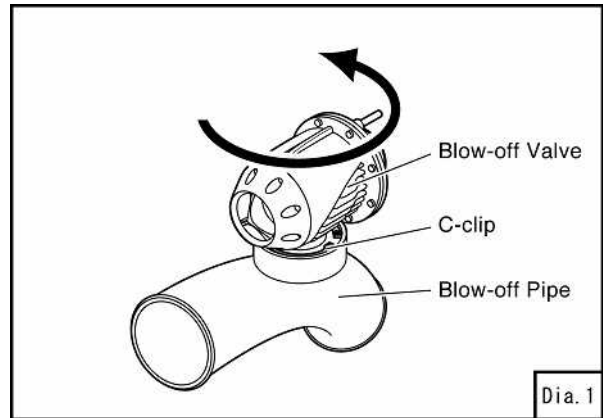
Installation of SSQV Return Kit

- Loosen the C-clip of the SSQV assembly. Rotate the blow-off valve on the blow-off adapter 180°. (Dia.1, Dia.4)

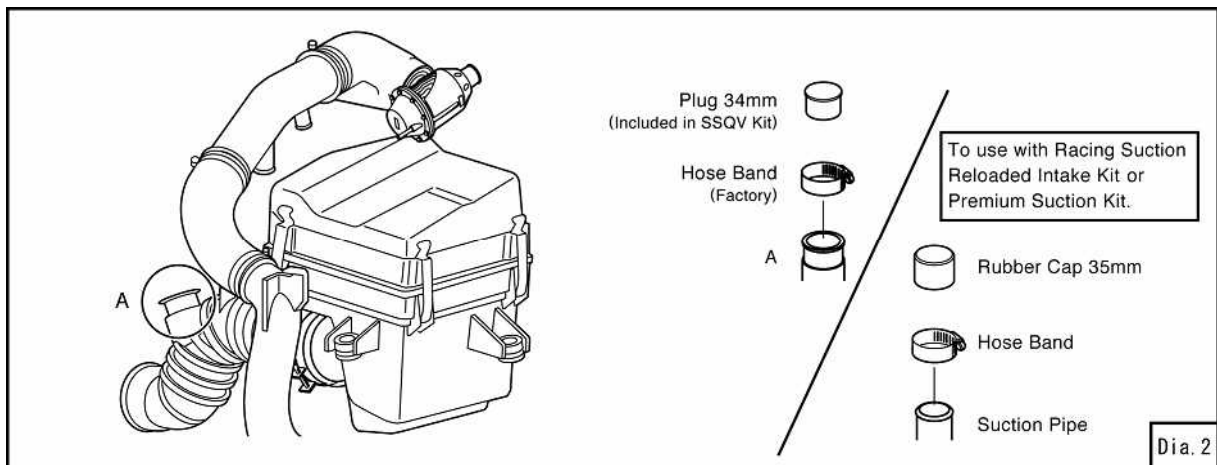
NOTE

The C-clip must be loosened before rotating the valve. Failure to do so may damage the valve.

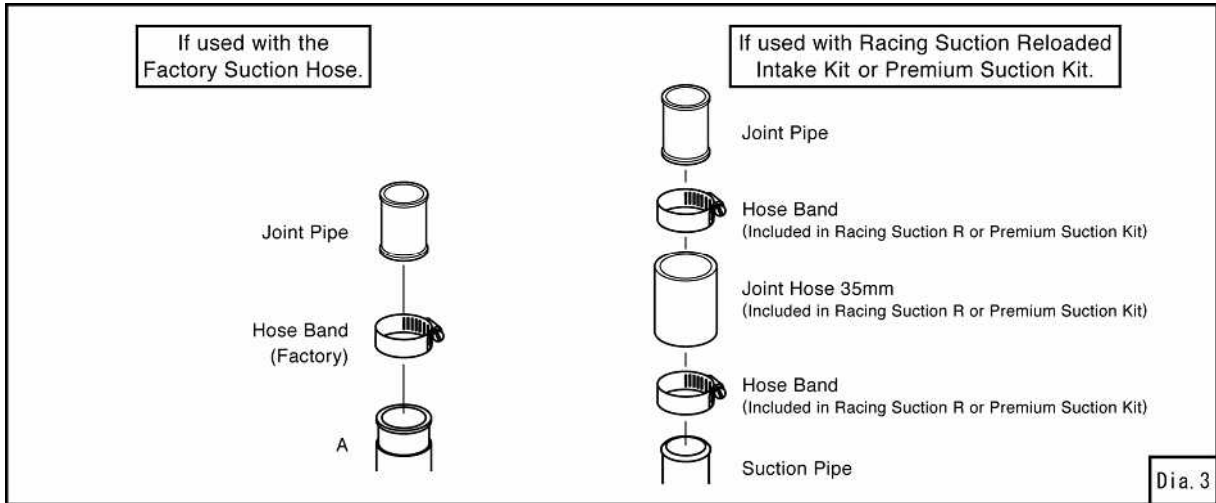
- Install the Recirculation Fitting to the SSQV assembly referring to the SSQV installation manual.



- Remove the plug and rubber cap that were installed to "A" when installing the SSQV kit. (Dia.2)



4. Install the joint pipe. (Dia.2, Dia.3)



5. Install the provided return hose. (Dia.4, Dia.5)

6. If any parts of the kit come in contact with any parts on the vehicle, use the provided sponge tape between these contact points.

